



**CORTELCO LED**

**2020  
Product  
Guide**

# Contents

<b>Bulbs</b>	
A19 Economy Bulbs.....	3
A15/A19/A21 Bulbs.....	5
Candelabra Bulbs.....	7
GU10/MR16 Bulbs.....	9
BR30/BR40 Bulbs.....	10
PAR Bulbs.....	11
Downlights.....	12
Commercial Downlights.....	13
GX23/G24Q/G24D Plug Lamps.....	14
<b>Corn Lamps</b>	
Corn Lamps.....	15
<b>Flat Panels</b>	
LED Flat Panels.....	17
<b>High Bay Lights</b>	
2 X 4 Linear High Bay.....	20
Premium Linear High Bay.....	22
2 X 2 High Bay Panel.....	24
UFO High Bay Light.....	26
High Bay Retrofit Kit.....	28
<b>Low Bay Lights</b>	
Linear Light.....	31
LED Wrap Fixture.....	33
<b>Outdoor Lights</b>	
Mini Flood Lights.....	36
Medium Flood Lights.....	38
Canopy Lights.....	42
Entry Light.....	44
Full Cutoff Wall Pack.....	46
Medium Wall Pack (30W/45W/65W).....	48
Large Wall Pack (90W/135W).....	52
LED Bollard Light.....	54
<b>Parking Lot Light</b>	
Standard Parking Lot Lights.....	57
Premium Parking Lot Lights.....	59
HL Parking Lot Lights.....	61
<b>Street Lights</b>	
Standard Street Lights.....	64
Premium Street Lights.....	66
<b>Tubes and Troffers</b>	
Tubes.....	69
Mini Strip Lights.....	71
U-Bulb.....	73
Troffer.....	75
<b>Fixtures and Accessories</b>	
4 Light T8 LED Ready 8 Foot Strip Fixture.....	78
4 Light T8 LED Troffer.....	79
2 Light T8 LED Ready 4 Foot Vapor Tight Fixture.....	80
4 Light T8 LED Ready 8 Foot Vapor Tight Fixture.....	81
Loop Hanger Cable.....	82
4 Light T8 LED Ready High Bay Fixture.....	83
8 Light T8 LED Ready High Bay Fixture.....	84
<b>Clearance</b>	
External Driver Corn Lamp.....	86
Mini Round Panel Light.....	88
High Efficiency Linear High Bay.....	90
2 X 2 Linear High Bay.....	92



# CORTELCO LED

## A19 Economy Bulbs



Specifications			
Part Number	BQA120/5RDE2628B82D	BQA120/5RZE2628B82D	BQA120/9RDE2628B84B
Power Consumption (Watts)	5	5	8.5
Light Output (Lumens)	500	500	830
Incandescent Equiv. (Watts)	40	40	60
Color Temperature	2700K	5000K	2700K
Certification	UL	UL	UL
Warranty	5 Years	5 Years	3 Years
Dimmable	No		
Operating Temperature	-20°C to +40°C		
Waterproof	No		
Socket	E26		



## A19 Economy Bulbs

Specifications		
Part Number	BQA120/9RZE2628B84B	BQA120/12RDE2618D81B
Power Consumption (Watts)	8.5	12
Light Output (Lumens)	830	1050
Incandescent Equiv. (Watts)	60	75
Color Temperature	5000K	2700K
Warranty	3 Years	5 Years
Dimmable	No	
Operating Temperature	-20°C to +40°C	
Certification	UL	
Waterproof	No	
Socket	E26	

Part Number	BQA120/8RDE2628B84B	BQA120/8RZE2628B84B
Power Consumption (Watts)	8	8
Light Output (Lumens)	800	800
Incandescent Equiv. (Watts)	60	60
Color Temperature	2700K	5000K
Dimmable <sup>1</sup>	Yes	
Operating Temperature	-20°C to +40°C	
Certification	UL	
Waterproof	No	
Socket	E26	
Warranty	5 Years	

Note:

1. Compatible with Lutron Maestro C-L Digital Dimmers. For more information refer to Lutron website.



# CORTELCO LED

## A15/A19/A21 Bulbs



### Specifications

Specifications			
Part Number	LA15527D5	LA15527DMWHS	LA19940DEFV2
Power Consumption (Watts)	4.7	4.7	9.5
Light Output (Lumens)	300	300	810
Incandescent Equiv. (Watts)	40	40	60
Color Temperature	2700K	2700K	4000K
Voltage	120		
Bulb Size	A15	A15	A19
Base Size	E12	E26	E26
Certification	UL	UL	Energy Star/UL
Warranty	5 Years		
Dimmable	Yes		
Operating Temperature	-20°C to +40°C		
Waterproof	No		



# CORTELCO LED

## A15/A19/A21 Bulbs

Specifications				
Part Number	LA19950DEFV2	LA191127DEFV2	LA191140DEFV2	LA191150DESEF
Color Temperature	5000K	2700K	4000K	5000K
Power Consumption (Watts)	9.5	11		
Light Output (Lumens)	810	1100		
Incandescent Equiv. (Watts)	60	75		
Voltage	120			
Bulb Size	A19			
Base Size	E26			
Certification	EnergyStar/UL			
Warranty	5 Years			
Dimmable	Yes			
Operating Temperature	-20°C to +40°C			
Waterproof	No			

Specifications		
Part Number	LA211650V2	L3WA211650V2
Power Consumption (Watts)	16	5/9/16
Light Output (Lumens)	1600	450/800/1600
Incandescent Equiv. (Watts)	100	40/60/100
Color Temperature	5000K	
Bulb Size	A21	
Base Size	E26	
Certification	EnergyStar/UL	
Warranty	5 Years	
Dimmable	Yes	
Operating Temperature	-20°C to +40°C	
Waterproof	No	



# CORTELCO LED

## Candelabra Bulbs



Specifications		
Part Number	BQC120/6RDE12	BQC120/6RZE12
Power Consumption (Watts)	6	6
Light Output (Lumens)	325	325
Incandescent Equiv. (Watts)	40	40
Color Temperature	2700K	5000K
Dimmable	Yes	
Operating Temperature	-20°C to +40°C	
Certification	UL	
Waterproof	No	
Socket	E12	
Warranty	3 Years	

Note:

1. Compatible with Lutron Maestro C-L Digital Dimmers. For more information refer to Lutron website.



# CORTELCO LED

## Bent Tip Candelabra Bulbs



Specifications		
Part Number	LBA13627D5	LBA13650D5
Power Consumption (Watts)	6.5	6.5
Light Output (Lumens)	500	500
Incandescent Equiv. (Watts)	60	60
Color Temperature	2700K	5000K
Dimmable	Yes	
Operating Temperature	-4F° ~ 104F°	
Certification	UL, Energy Star, RoHs, FCC	
Socket	E12	
Warranty	5 Years	





# CORTELCO LED

## GU10/MR16 Bulbs



Specifications			
Part Number	CNGU105W	MR16ZLSLA205	LMR16630D5
Power Consumption (W)	5	6	6.5
Input Voltage (Volts)	100-120	12 DC	
Light Output (Lumens)	330	500	
Incandescent Equiv. (W)	35	40	
Color Temperature	5000K	3000K	
Dimmable	No	Yes	
Beam Angle	N/A	38°	
Certification	UL	N/A	UL/Energy Star
Socket	GU10	MR16	
Operating Temperature	-20°C to +40°C		
Waterproof	No		
Warranty	3 Years		



# CORTELCO LED

## BR30/BR40 Bulbs



Specifications		
	BR30	BR40
Part Number <sup>1</sup>	BQBR120/10RLE2612D81B	BQBR120/15RLE2612D81B
Power Consumption (Watts)	10	15
Light Output (Lumens)	850	1180
Incandescent Equivalent (Watts)	75	100
Color Temperature	4000K	
Dimmable	Yes	
Operating Temperature	-20°C to +40°C	
Certification	UL	
Waterproof	No	
Socket	E26	
Warranty	3 Years	

Note:

1. Part numbers shown are for 4000K. Other colors available on request.



## PAR Bulbs



PAR20



PAR38 Style A



PAR38 Style B

Specifications			
	PAR20	PAR38Style A	PAR38Style B
Part Number	CNPAR208W	CNPAR3820W	P417E2640KCFLEWH
Power Consumption (Watts)	8	20	17
Light Output (Lumens)	520	1460	1350
Incandescent Equivalent (Watts)	50	100	75
Certification	UL	Energy Star/UL	UL
Color Temperature	5000K		4000K
Waterproof	No		Yes
Warranty	3 Years		5 Years
Dimmable	Yes		No
Operating Temperature	-20°C to +40°C		
Socket	E26		



# CORTELCO LED

## Downlights



Specifications					
Part Number	BTT120/9RZ08D83A	KD454E2630K	CPR6013AL30K02	CPR6013AL50K02	BTT120/18RZ08D83A
Power Consumption (Watts)	9	10	13	13	18
Light Output (Lumens)	590	800	950	950	1180
Diameter (Inches)	4	4	6	6	6
Color Temperature	5000K	3000K	3000K	5000K	5000K
Certification	UL				
Dimmable <sup>1</sup>	Yes				
Operating Temperature	-20°C to +40°C				
Waterproof	No				
Socket	E26				
Warranty	5 Years				

Note:

1. Compatible with Lutron Maestro C-L Digital Dimmers. For more information refer to Lutron website.



# CORTELCO LED

## Commercial Downlights



Specifications	
Part Number	CE618W40K
Power (Watts)	18
Light Output (Lumens)	1600
Color Temperature	4000K
Dimmable	See Note 1
Height (Inches)	7.90
Diameter (Inches)	7.48
Certification	Energy Star/UL
Operating Temperature	-20°C to +45°C
Warranty	5 Years

Notes:

1. Compatible with Lutron DIVA-DVTV, NOVA T, NTSTV-DV Dimmers. For more information refer to Lutron website.
2. For indoor use only.
3. Other sizes and wattages are available



**CORTELCO LED**

GX23/G24Q/G24D  
Plug Lamps



We have many styles of plug lamps available.  
Contact us for your plug lamp needs.



# CORTELCO LED

## Corn Lamps



### Specifications

Part Number	NSACL20W02C	NSACL30W02C50K	NSWLC50W01	NSWLC60W0150K	NSWLC100W0150K
Power (Watts) <sup>1</sup>	20	30	50	60	100
Light Output (Lumens)	2500	3750	7500	8600	15000
Diameter (Inches)	2.4	3.25	4	4	5.2
Length (Inches)	6.5	8.2	9	10	11.6
Cooling	Convection (No Fan)		Fan		
Socket	E26		E39		
Ingress Protection	IP64				
Color Temperature	5000K				
Input Voltage (Volts)	100-277				
Operating Temperature	-20°C to +40°C				
Certification	ETL/DLC				
Warranty	5 Years				

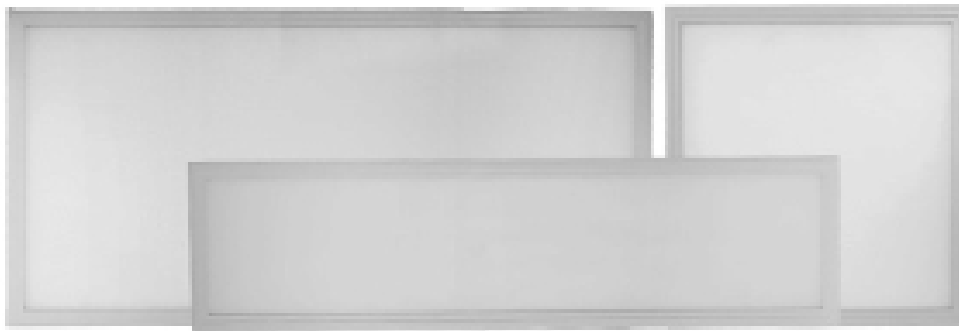
1. Other Wattages Available Upon Request

This page intentionally left blank.





## LED Flat Panels



Emergency Driver Available.



Specifications (2X4)			
Part Number	DMP72440W40KAE	DMP72448W40KAE	DMP72460W40KAE
Dimensions (Feet)	2 X 4		
Power Consumption (Watts)	40	48	60
Light Ouput (Lumens)	5200	6240	7800
Input Voltage (Volts)	100-277		
Color Temperature <sup>1</sup>	4000K		
Color Rendering Index	83		
Dimmable <sup>2</sup>	Yes		
Operating Temperature	-20°C to +40°C		
Certification	UL/DLC		
Warranty	5 Years		

Notes:

1. 5000K also available. See part number chart on following page.
2. 0 - 10V Dimmer.

Specifications (1X4 2X2)			
Part Number	DMP71436W40KAE	DMP72230W40KAE	DMP72236W40KAE
Dimensions (Feet)	1 X 4	2 X 2	
Power Consumption (Watts)	36	30	36
Light Output (Lumens)	3600	3800	5200
Input Voltage (Volts)	100-277		
Color Temperature <sup>1</sup>	4000K		
Color Rendering Index	83		
Dimmable <sup>2</sup>	Yes		
Operating Temperature	-20°C to +40°C		
Certification	UL/DLC		
Warranty	5 Years		

Part Numbers	
DMP71436W40KAE	1 X 4 36W 4000K
DMP71436W50KAE	1 X 4 36W 5000K
DMP72230W40KAE	2 X 2 30W 4000K
DMP72230W50KAE	2 X 2 30W 5000K
DMP72236W40KAE	2 X 2 36W 4000K
DMP72236W50KAE	2 X 2 36W 5000K
DMP72440W40KAE	2 X 4 40W 4000K
DMP72440W50KAE	2 X 4 40W 5000K
DMP72448W40KAE	2 X 4 48W 4000K
DMP72448W50KAE	2 X 4 48W 5000K
DMP72460W40KX	2 X 4 60W 4000K
DMP72460W50KAE	2 X 4 60W 5000K
DMPEBC6W	Emergency Driver

Emergency driver provides 50% light output for a minimum of 90 minutes if power fails.

Notes:

1. 5000K also available. See part number chart
2. 0 - 10V Dimmer.
3. Surface mount and flush mount kits available

This page intentionally left blank.



# CORTELCO LED

## 2 X 4 Linear High Bay



200W



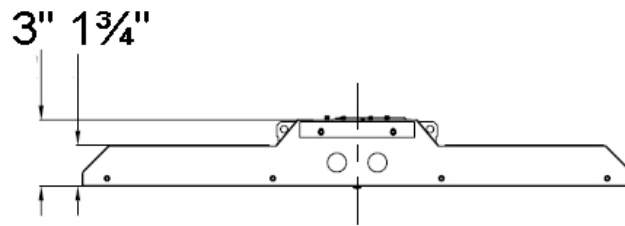
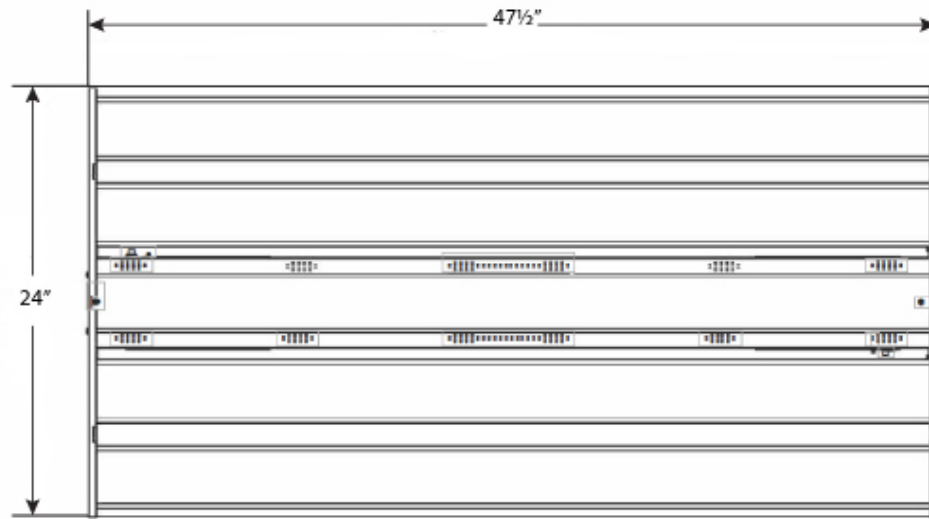
320W

Specifications		
Part Number <sup>1</sup>	HBL24D200W27V50KHPD	HBL24D320W27V50KHPD
Power (Watts)	200	320
Light Output (Lumens)	20000	36000
Input Voltage (Volts) <sup>2</sup>	100-277	
Color Temperature	5000K	
Dimmable <sup>3</sup>	Yes	
Lens <sup>4</sup>	Prismatic (Wide Angle) or Medium	
Motion Sensor	Optional	
Operating Temperature	-20°C to +40°C	
Certification	UL/DLC	
Warranty	5 Years	

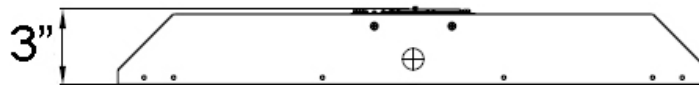
Notes:

1. Part numbers shown are for Prismatic Lens. See part number chart on following page.
2. 480V Available on request.
3. 0 - 10 V Dimmer.
4. Narrow Lens available on request.

# Dimensions



200W



320W

Part Numbers	
HBL24D200W27V50KHPD	200W Prismatic Lens 5000K
HBL24D200W27V50KHMD	200W Medium Lens 5000K
HBL24D320W27V50KHPD	320W Prismatic Lens 5000K
HBL24D320W27V50KHMD	320W Medium Lens 5000K

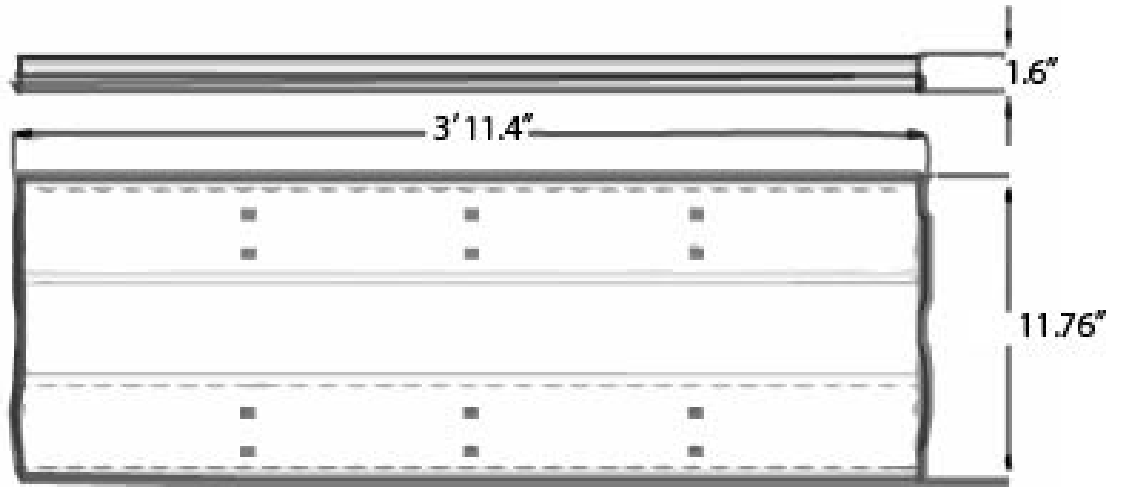


## Premium Linear High Bay



Specifications	
Part Number	HSHB400/500WK5
Power (Watts)	400/500
Light Ouput (Lumens)	70000/87500
Input Voltage (Volts)	100-277
Color Temperature	3000K - 6000K (Customized Option)
Dimmable	Yes (Optional)
Motion Sensor	No
Operating Temperature	-20° - +50°C
Certification	UL/DLC
Housing Color	Blue + White Customized
Warranty	7 Years

# Dimensions





# CORTELCO LED

## 2 X 2 High Bay Panel



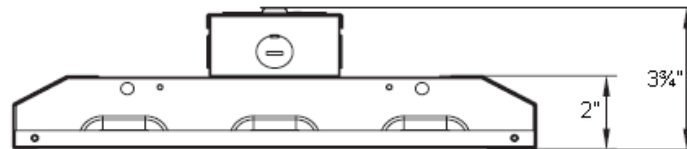
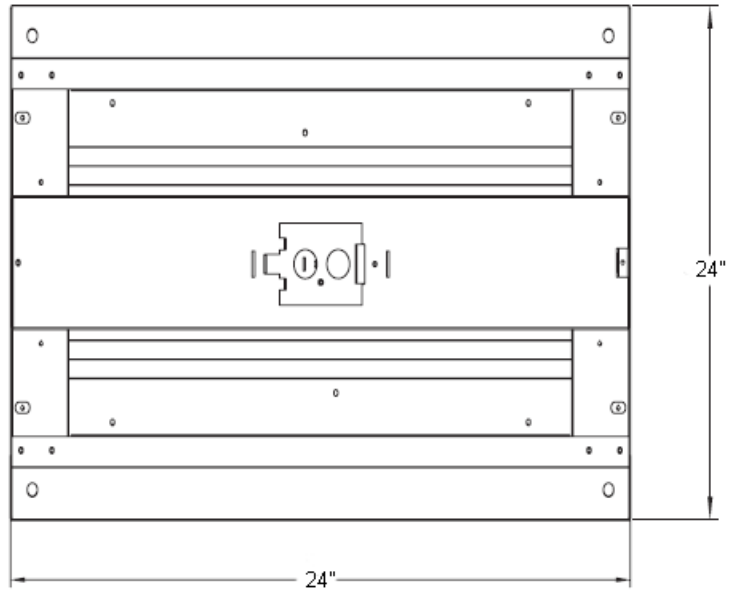
Specifications		
Part Number	DMHB3160W50K	DMHB3220W50K
Power (Watts)	160	220
Light Output (Lumens)	20800	28600
Input Voltage (Volts)	100-277	
Color Temperature	5000K	
Dimmable <sup>1</sup>	Yes	
Operating Temperature	-20°C to +40°C	
Certification	UL/DLC	
Warranty	5 Years	

Notes:

1. 0 - 10 V Dimmer.



# Dimensions

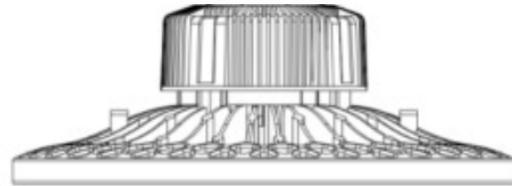


Part Numbers	
DMHB3160W50K	160W 5000K
DMHB3220W50K	220W 5000K



# CORTELCO LED

## UFO High Bay Light



### Specifications

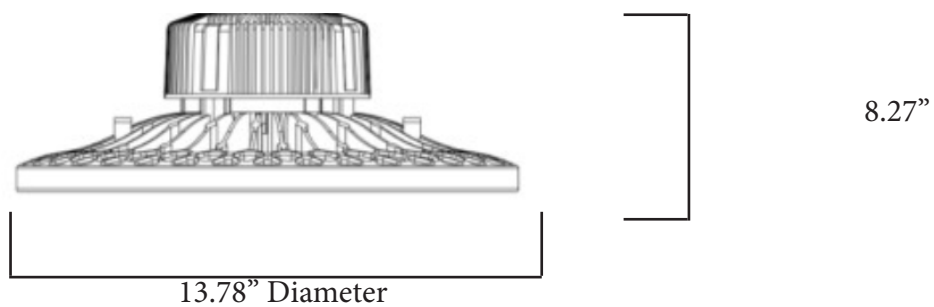
Specifications			
Part Number	HGHL100WR50K	HGHL150WR50K	HGHL200WR50K
Power (Watts)	100	150	200
Light Output (Lumens)	13000	19500	26000
Input Voltage (Volts)	100 - 277		
Lens	120°		
Dimmable	Optional		

#### NOTES:

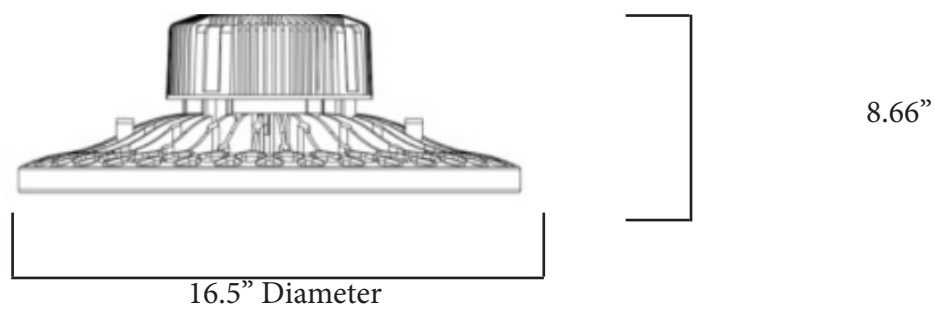
1. Also available in 4000K and 6000K
2. Frosted lens available

# Dimensions

## 100W and 150W



## 200W





## High Bay Retrofit Kit

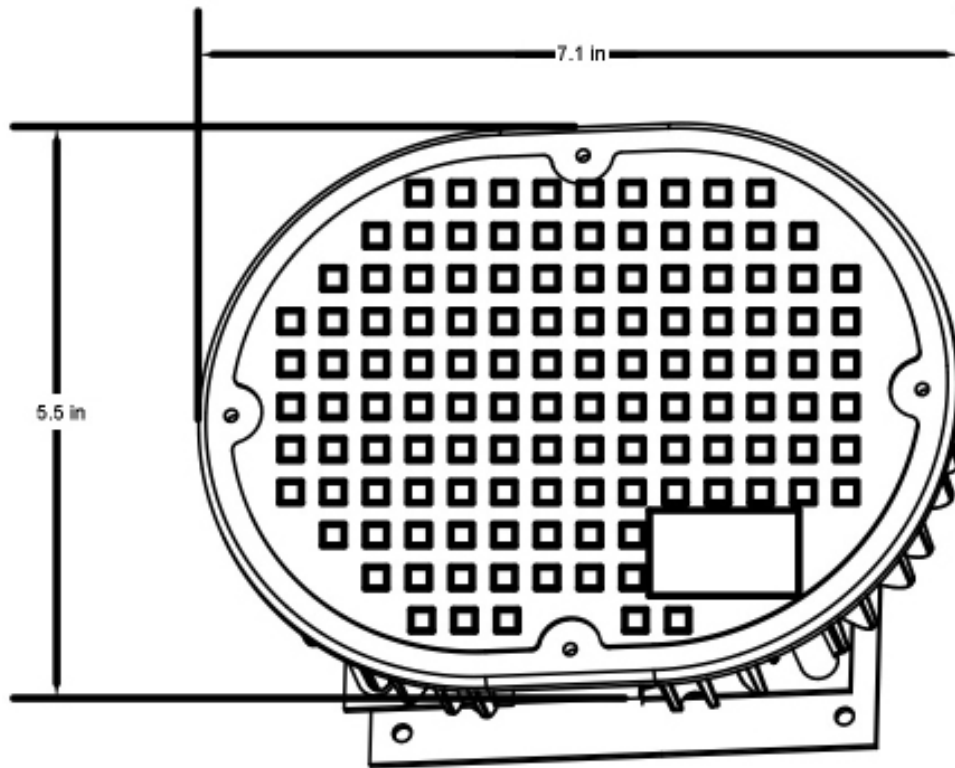


Specifications		
Part Number	RLRT150WLVCW	RLRT150WHVCW
Input Voltage (Volts)		
Power (Watts)	150	
Light Ouput (Lumens)	17500	
Input Voltage (Volts)	100 - 277	347-480
Operating Temperature	-30°C to +50°C	
Color Temperature	5800K	
Certification	UL	
Dimmable <sup>1</sup>	Yes	
Warranty	5 Years	

Notes:

1. 0 - 10 V Dimmer

# Dimensions



Dimensions shown are 150W model.

This page intentionally left blank.



# CORTELCO LED

## Linear Light



Emergency Driver Available.



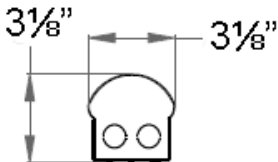
Specifications			
Part Number	DMST4FT2450K	DMST4FT40W50KX	DMST8FT6450KX
Power Consumption (Watts)	24	40	64
Light Output (Lumens)	3120	5200	8300
Dimensions	48" X 3 3/8" X 3 3/4"		96" X 3 3/8" X 3 3/4"
Input Voltage (Volts)	90-277		
Color Temperature <sup>1</sup>	5000K		
Dimmable <sup>2</sup>	Yes		
Operating Temperature	-25°C to +40°C		
Mounting	Surface Mount, Downrod, or Chain		
Certification	ETL/DLC		
Warranty	5 Years		

Notes:

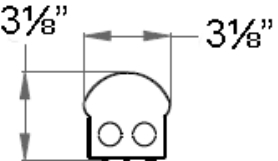
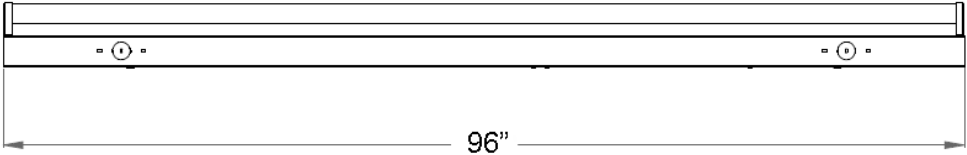
1. 4000K also available. See following page for part numbers.
2. 0 - 10V Dimmer

# Dimensions

## 24W/40W



## 64W



Part Numbers	
DMST4FT2450K	4 Ft. 24W 5000K
DMST4FT4040KX	4 Ft. 40W 4000K
DMST4FT40W50KX	4 Ft. 40W 5000K
DMST8FT6440KX	8 Ft. 64W 4000K
DMST8FT6450KX	8 Ft. 64W 5000K
DMPEBC6W	Emergency Driver

Emergency driver provides 50% light output for a minimum of 90 minutes if power fails.





# CORTELCO LED

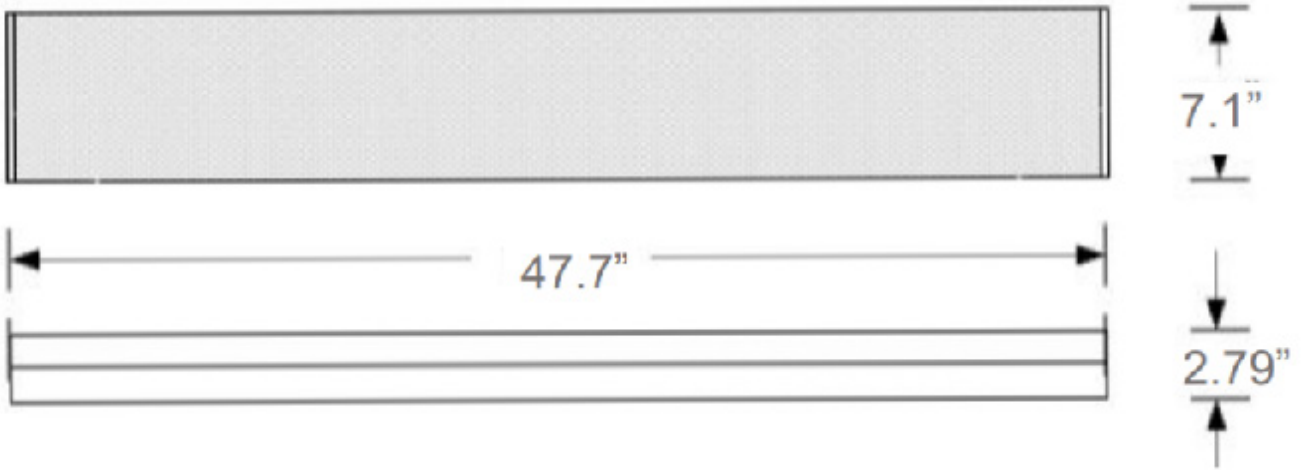
## LED Wrap Fixture



Specifications		
Part Number	LW44840D	LW44850D
Power (Watts)	42	
Light Output (Lumens)	4410	
Input Voltage (Volts)	120-277	
Color Temperature	4000K	5000K
Dimmable <sup>1</sup>	Yes	
Operating Temperature	-40°F ~ +122°F	
Certification	ETL, DLC	
Warranty	5 Years	

Notes:

1. 0-10V Dimmer



This page intentionally left blank.



## Mini Flood Lights

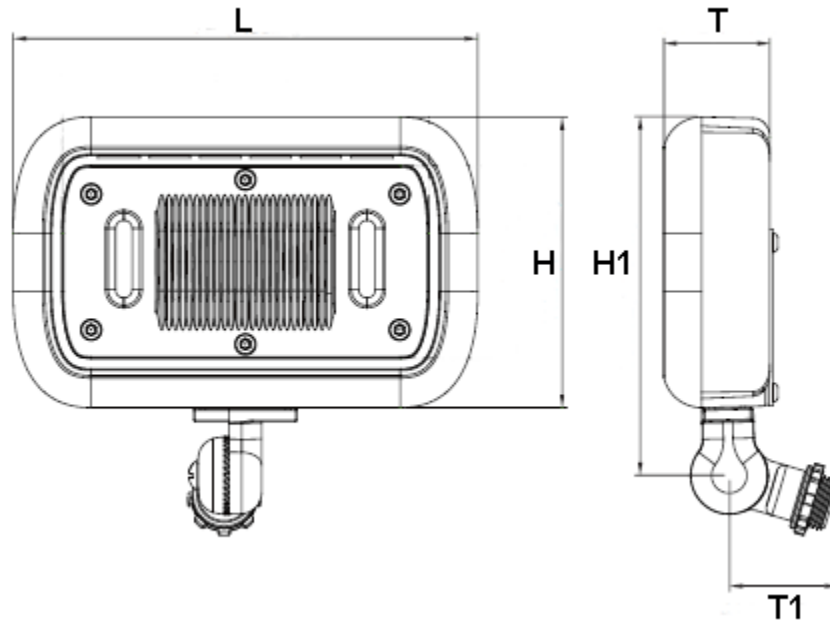


Specifications			
Part Number <sup>1</sup>	FD15W27V50KBDB77KN	FD30W27V50KBDB77KN	FD45W27V50KBDB77KN
Power (Watts)	15	30	45
Light Output (Lumens)	1500	3000	5400
Input Voltage (Volts)	90-277		
Color Temperature <sup>2</sup>	5000K		
Mounting Bracket <sup>3</sup>	Knuckle, Trunnion, or Wall Mount		
Ingress Protection	IP66		
Operating Temperature	-40°C to +45°C		
Certification	UL/DLC		

Notes:

1. See next page for all part numbers.
2. 4000K available on request.
3. Wall mount not available for 15W unit.
4. 30W Unit pictured.

# Dimensions

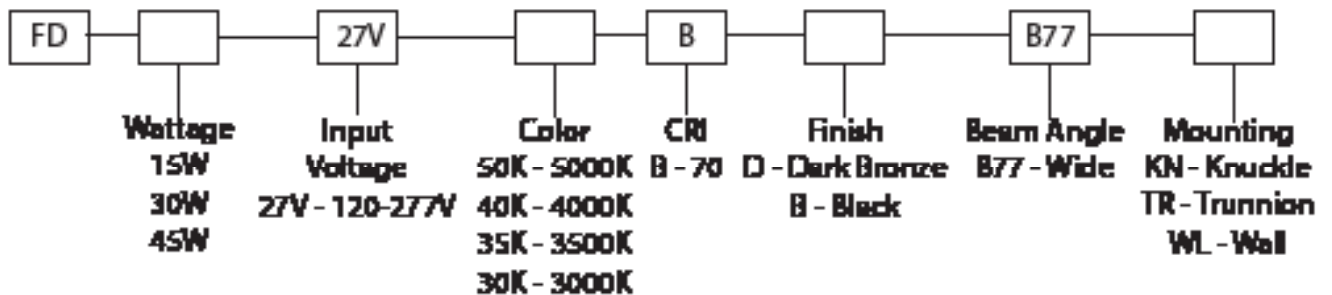


	L	H	T	H1	T1
15W	4.8	3.0	1.3	4.0	1.7
30W	7.1	4.5	1.6	5.5	1.7
45W	8.9	5.2	2.5	6.2	1.7

All dimensions are in inches

## Part Numbering

Example: FD15W27V50KBDB77KN - 15W 5000K Dark Bronze Knuckle Mount





# CORTELCO LED

## Medium Flood Lights

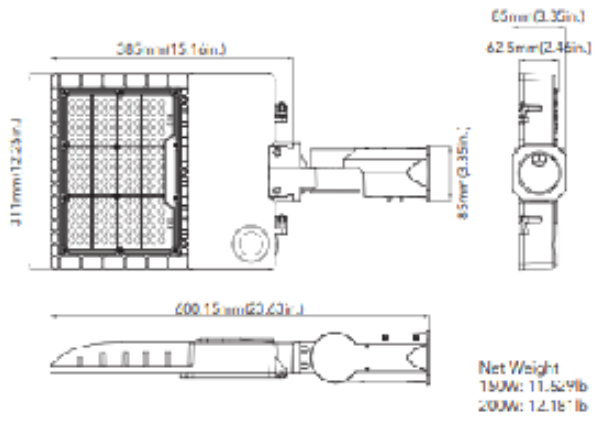


### Specifications

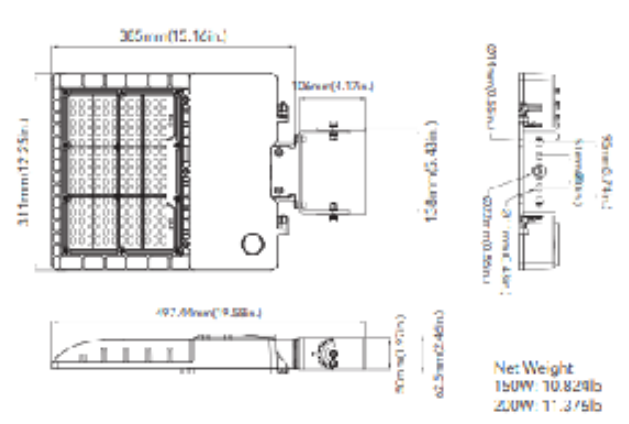
Specifications		
Part Number	MFD07150W27V50KBDB77SF	MFD07150W27V50KBDB77YK
Power (Watts)	150	
Light Output (Lumens)	20500	
Input Voltage (Volts)	120-277	
Color Temperature	5000K	
Mounting Bracket	Slipfitter	Yoke
Operating Temperature	-40°C~+45°C	
Certification	UL/ DLC	
Warranty	5 Years	

# Dimensions

## 150W/200W (Slipfitter Mount)



## 150W/200W (Yoke Mount)





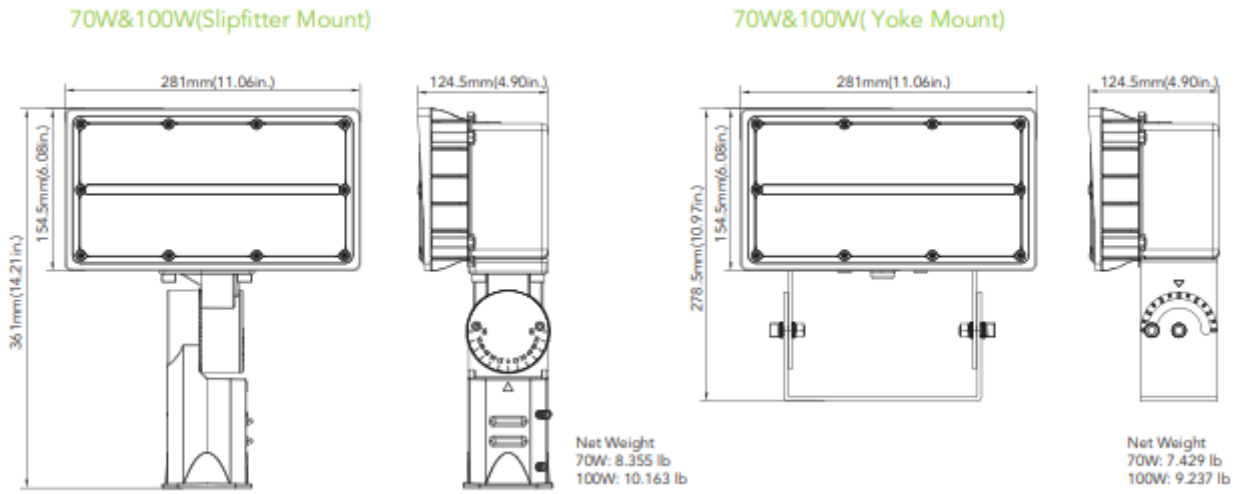
## Medium Flood Lights



Specifications		
Part Number	MFD0870W27V50KBDB77SF	MFD08100W27V50KBDB77YK
Power (Watts)	70	100
Light Output (Lumens)	9300	13100
Input Voltage (Volts)	120-277	
Color Temperature	5000K	
Mounting Bracket	Slipfitter Yoke	
Operating Temperature	-40°C~+45°C	
Certification	UL/ DLC	
Warranty	5 Years	



# Dimensions





# CORTELCO LED

## Canopy Lights

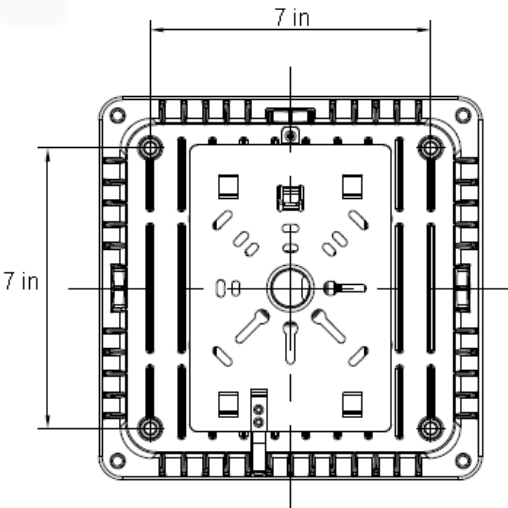
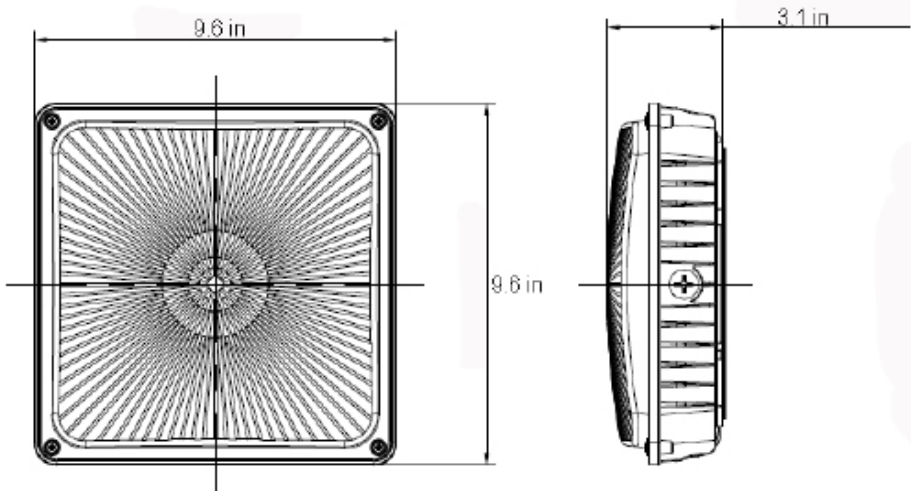


Specifications		
Part Number <sup>1</sup>	MCP0445W27V50KD	CP60W27V50KD
Power Consumption (Watts)	45	60
Light Output (Lumens)	5300 (Typical)	6600(Typical)
Input Voltage (Volts)	120 - 277	
Color Temperature <sup>2</sup>	5000K	
Motion Sensor	Optional	
Color	Dark Bronze or White	
Dimmable	Yes	
Working Location	Damp or Wet	
Operating Temperature	-40°C to +40°C	
Certification	UL/DLC	
Warranty	5 Years	

Notes:

1. Other wattages and colors available
2. 4000K units available on request.

# Dimensions





## Entry Light

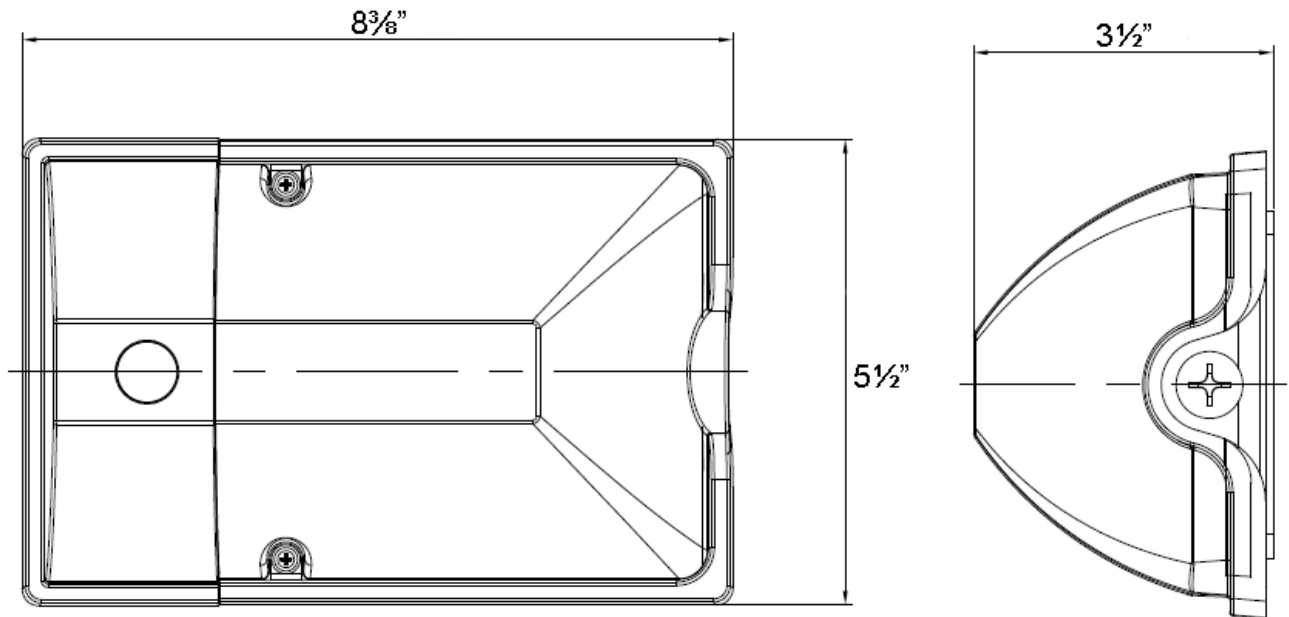


Specifications	
Part Number	WM25W27V40KBP1
Power Consumption (Watts)	25
Color <sup>1</sup>	Black
Input Voltage (Volts)	90-277
Color Temperature <sup>2</sup>	4000K
Light Output (Lumens)	2100 (Typical)
Photocell	Optional
Operating Environment	Damp or Wet Location
Operating Temperature	-25°C to +40°C
Certification	UL/DLC
Dimension	8 <sup>3</sup> / <sub>8</sub> " X 5 <sup>1</sup> / <sub>2</sub> " X 3 <sup>1</sup> / <sub>2</sub> "
Warranty	5 Years

Notes:

1. White and Dark Bronze available on request. See Part Number chart on following page.
2. 5000K Color Temperature also available. See Part Number chart on following page.

# Dimensions



Part Numbers	
WM25W27V40KBP1	4000K Black
WM25W27V50KBP1	5000K Black
WM25W27V40KWP1	4000K White
WM25W27V50KWP1	5000K White
WM25W27V40KDP2	4000K Dark Bronze
WM25W27V50KDP2	5000K Dark Bronze



## Full Cutoff Wall Pack

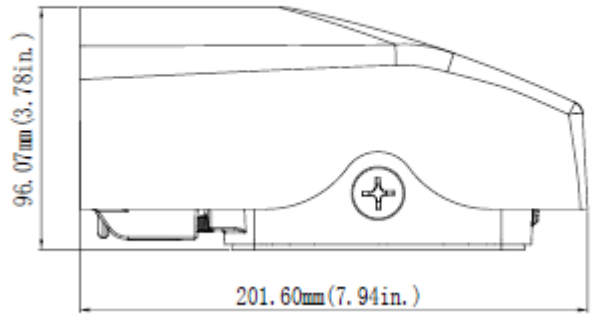
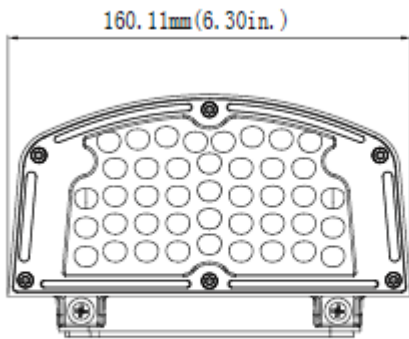


Specifications	
Part Number <sup>1</sup>	SWP30W27V50KD
Power Consumption (Watts)	30
Light Output (Lumens)	3600
Input Voltage (Volts)	100-277
Operating Temperature	-25°C to +45°C
Color Temperature	5000K
Certification	UL/DLC
Photocell	Optional
Warranty	5 Years

Note:

1. See complete list of part numbers on following page.

# Dimensions



Part Numbers	
SWP30W27V50KD	30W 5000K
SWP30W27V50KDP2	30W 5000K with Photocell



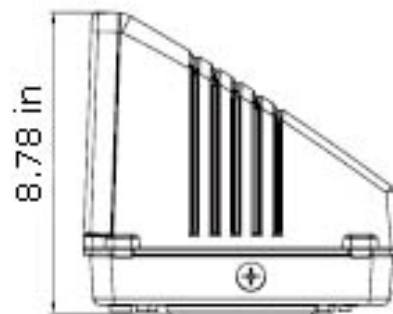
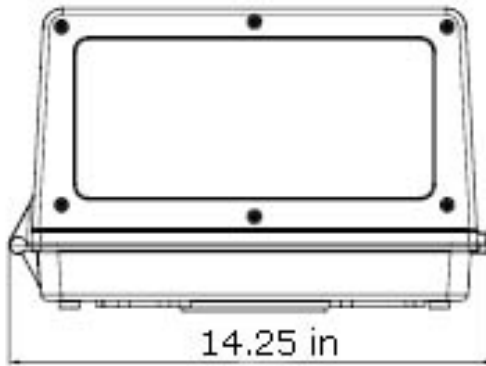
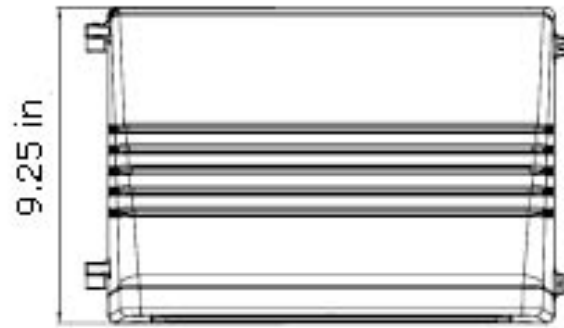
## Full Cutoff Wall Pack



Specifications	
Part Number	MWP0245W27V50KD
Power Consumption (Watts)	45
Light Output (Lumens)	4900
Input Voltage (Volts)	100-277
Operating Temperature	-25°C to +45°C
Color Temperature	5000K
Certification	UL/DLC
Photocell	Optional
Warranty	5 Years



# Dimensions



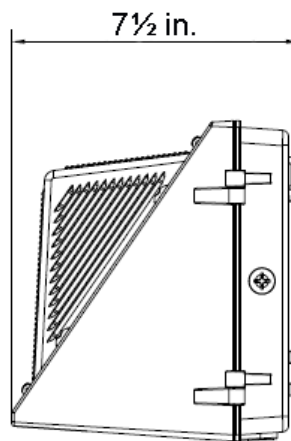
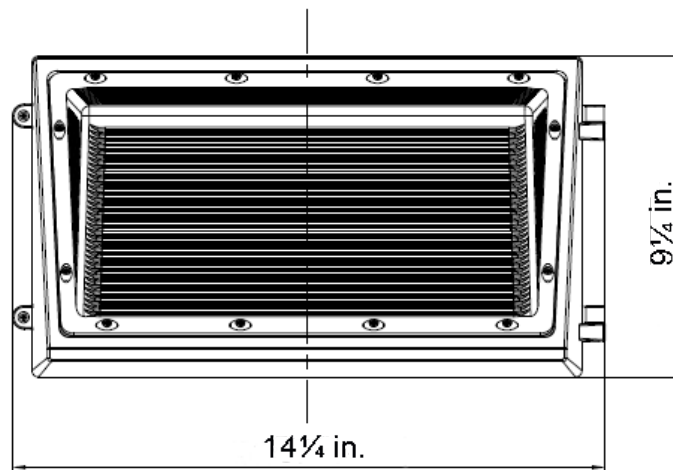


## Medium Wall Pack (30W/40W/65W)



Specifications			
Part Number <sup>1</sup>	MWP0830W27V50KD	MWP0840W27V50KD	MWP0865W27V50KD
Power Consumption (W)	30	40	65
Light Output (Lumens)	3600	5300	7300
Input Voltage (Volts)	100 - 277		
Operating Temperature	-40°C to +40°C		
Color Temperature	5000K		
Certification	UL/DLC		
Photocell	Optional		
Warranty	5 Years		

# Dimensions





## Large Wall Pack (90W/135W)

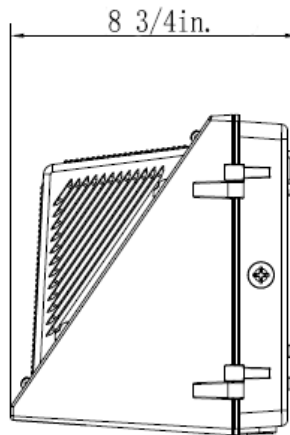
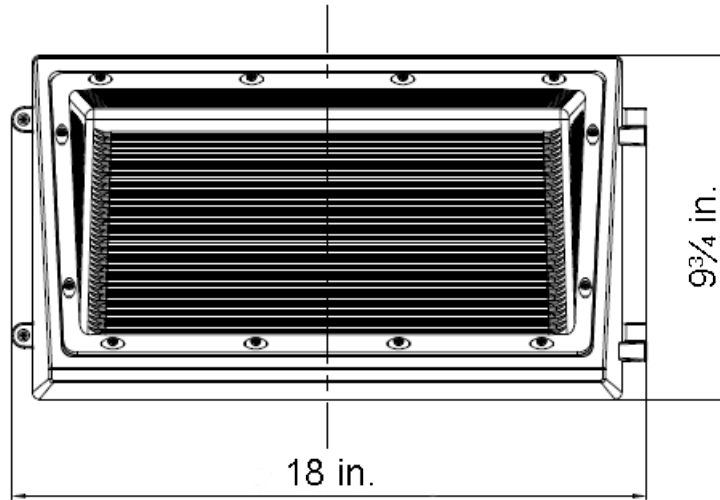


Specifications		
Part Number <sup>1</sup>	WP90W27V50KD	WP135W27V50KD
Power Consumption (Watts)	90	135
Light Output (Lumens)	11200	16400
Input Voltage (Volts)	100-277	
Operating Temperature	-25°C to +45°C	
Color Temperature	4000K/5000K	
Certification	UL/DLC	
Photocell	Optional	
Warranty	5 Years	

Note:

1. 5000K Part Number Shown. See complete list of part numbers on following page.

# Dimensions



Part Numbers	
WP90W27V40KD	90W 4000K
WP90W27V50KD	90W 5000K
WP135W27V50KD	135W 5000K



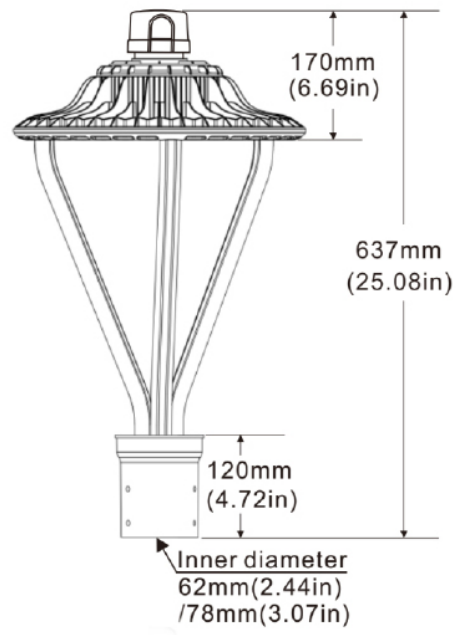
## Post Top Light



Specifications	
Part Number	GRL75W50KCN
Power Consumption <sup>1</sup> (Watts)	75
Light Output (Lumens)	9750
Input Voltage (Volts)	100-277
Operating Temperature	-40° to +45°C
Color Temperature	3000K   4100K   5000K
Photocell	Optional
IP Grade	IP67
Warranty	5 Years

Note: <sup>1</sup> Available in 30W, 50W, or 100W upon request

# Dimensions



This page intentionally left blank.





# CORTELCO LED

## Standard Parking Lot Lights



Specifications		
Part Number	HDAL01100W50KPD	HDAL01150W50KPD
Power (W)	100	150
Light Output (Lumens)	13000	19500
Input Voltage (Volts) <sup>1</sup>	120 - 277	
Color Temperature <sup>2</sup>	5000K	
Mounting Bracket	Slipfitter, square pole, round pole, or yoke available	
Ingress Protection	IP66	
Operating Temperature	-30°C to +50°C	
Certification	UL	
Warranty	5 Years	

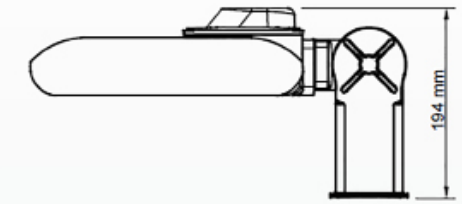
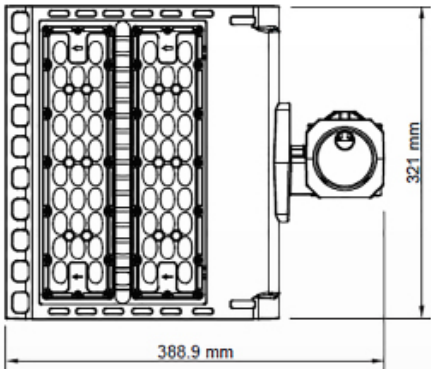
Notes:

1. 347 - 480V available on request.
2. Other color temperatures available on request.
3. Different light distribution options available by lens selection.

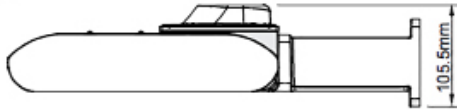
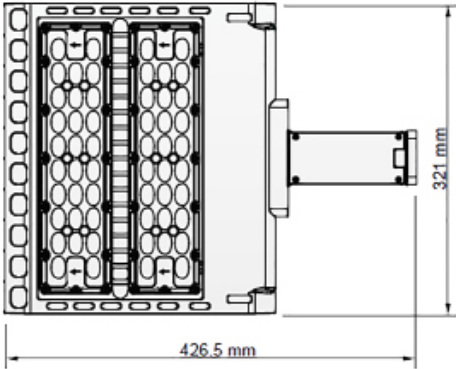
# Dimensions

100W - 150W

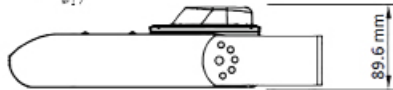
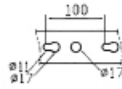
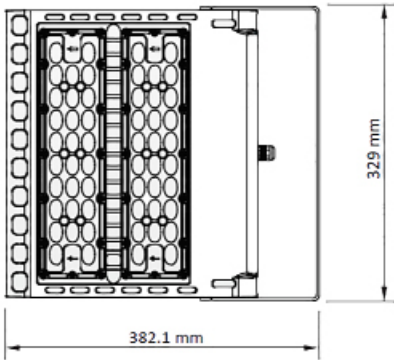
Slipfitter



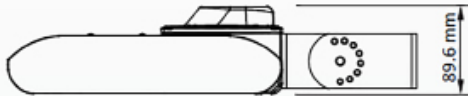
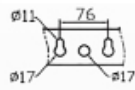
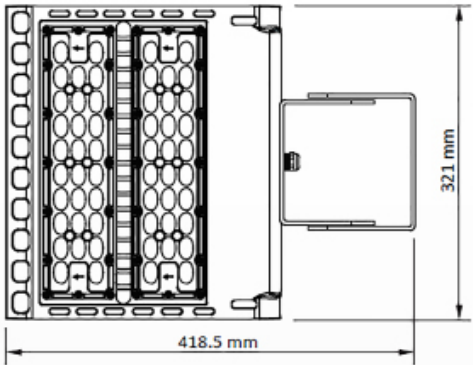
Post Mount



Trunnion



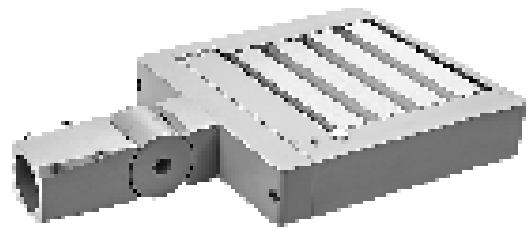
Yoke





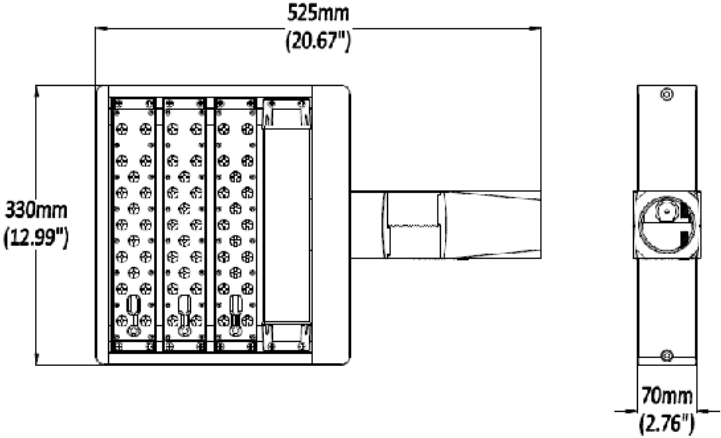
# CORTELCO LED

## Premium Parking Lot Light



Specifications	
Part Number	FLBT4M50KBZ00
Power Consumption (Watts)	120
Light Output (Lumens)	12000
Input Voltage (Volts)	120 - 277
Color Temperature	5000K
Photocell	Optional
Mounting Bracket	2.5 inch round
Ingress Protection	IP67
Operating Temperature	-40°C to +50°C
Certification	UL/DLC
Warranty	10 Years

# Dimensions





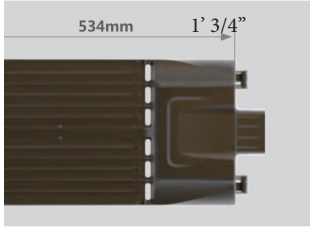
# CORTELCO LED

## HL Parking Light

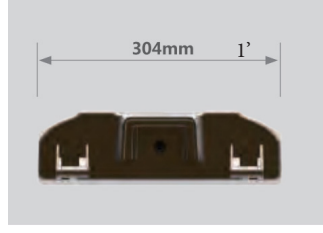


Specifications			
Part Number	HLPLW50XD1072	HLPL15W50BZ7PT2	HLPL30W50BZ7PT2
Power Consumption (Watts)	150		300
Light Output (Lumens)	21000LM		41400LM
Input Voltage (Volts) <sup>1</sup>	120 - 277V / 240 - 480V		
Color Temperature	5000K		
Photocell	Yes	Optional	
Socket	No	7 Pin Socket	7 Pin Socket
Mounting Bracket	SQ Pole, Round Pole, Trunnion, Slipfitter		
Ingress Protection	IP66		
Lens <sup>2</sup>	T2 Lens		
Operating Temperature	-40°C to +55°C		
Certification	UL/DLC		
Warranty	10 Years		

- 1 240-480V available  
 2 Other Lenses available



▲ Top View



▲ Elevation View



▲ Left View





# CORTELCO LED

## Standard Street Lights



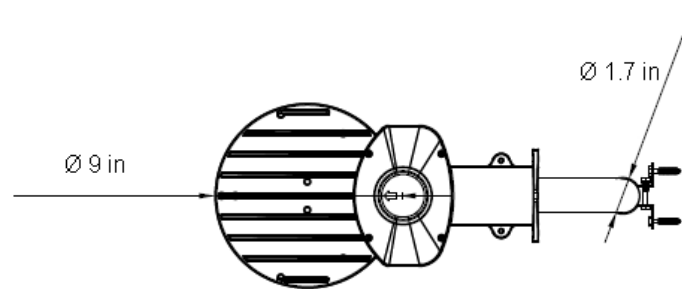
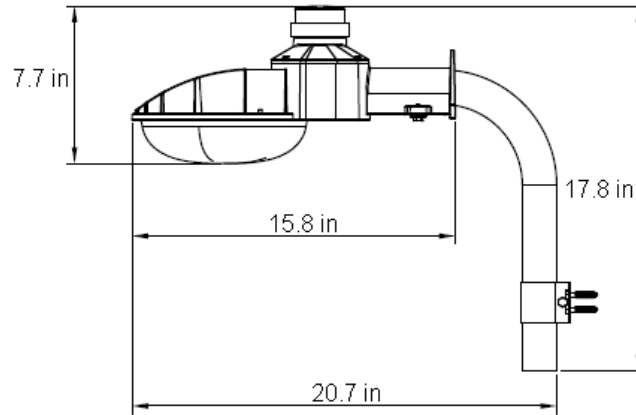
Specifications		
Part Number <sup>1</sup>	ST45W27V50KADP0	ST70W27V50KADP0
Power Consumption (Watts)	45	70
Light Output (Lumens)	4750 (Typical)	6700 (Typical)
Input Voltage	120-277	
Color Temperature <sup>2</sup>	5000K	
Photocell	Yes	
Color	Dark Bronze or Silver	
Mounting Bracket	1.5 inch round	
Working Location	Damp or Wet	
Operating Temperature	-25°C to +40°C	
Certification	UL/DLC	
Warranty	5 Years	

Notes:

1. Dark Bronze Part Number Shown. See complete list of part numbers on following page.
2. 4000K available on request.



# Dimensions



Part Numbers	
ST45W27V50KADP0	45W Dark Bronze
ST45W27V50KASGP0	45W Silver Grey
ST70W27V50KADP0	70W Dark Bronze
ST70W27V50KASGP0	70W Silver Grey



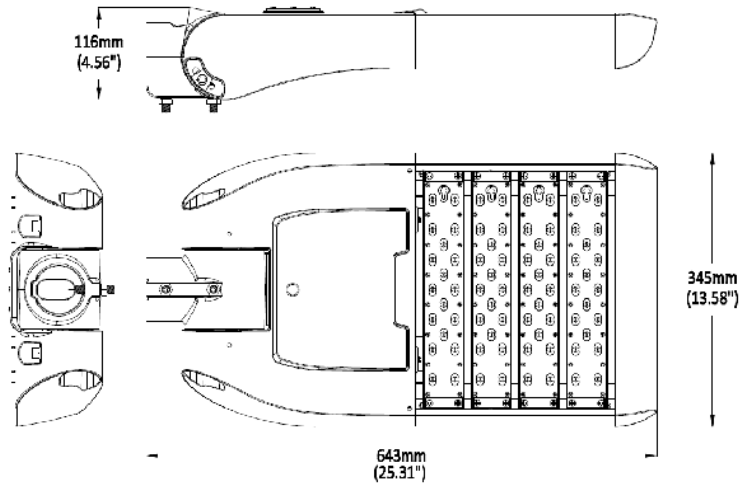
# CORTELCO LED

## Premium Street Light



Specifications	
Part Number <sup>1</sup>	SLB160T4M57KBZ01
Power Consumption (Watts) <sup>2</sup>	160
Light Output (Lumens)	16800
Input Voltage (Volts) <sup>3</sup>	120 - 277
Color Temperature	5700K
Photocell	Optional
Mounting Bracket	2.5 inch round
Ingress Protection	IP67
Operating Temperature	-40°C to +50°C
Certification	UL/DLC
Warranty	10 Years

# Dimensions



This page intentionally left blank.



# Tubes

Part Number	Length (Feet)	Power (Watts)	Lumen Output	Color Temp.	Wiring <sup>1</sup>	AC Input <sup>2</sup>	Terminal <sup>3</sup>	Diffuser	DLC
Non Standard Length									
WLT810WBIXF50K	2	10	1300	5000K	Opposite	Hybrid	G13	Frosted	No
FLT813W900BIDS40K	3	13	1690	4000K	Opposite	Direct	G13	Frosted	No
ZY22W1500BINS50K <sup>4</sup>	5	22	2420	5000K	Same	Direct	G13	Frosted	No
4 Foot									
Economy Series (100 lm/W)									
FLT815W1200BISS4	4	15	1500	4000K	Same	Direct	G13	Frosted	Yes
FLT818W1200BISS4	4	18	1800	4000K	Same	Direct	G13	Frosted	Yes
Standard Series (130 lm/W)									
FLT812W1200DIAB50K	4	12	1560	5000	Opposite	Hybrid	G13	Frosted	Yes
FLT815W1200BIXF4	4	15	1950	4000	Opposite	Hybrid	G13	Frosted	Yes
FLT815W1200BIXF5	4	15	1950	5000	Opposite	Hybrid	G13	Frosted	Yes
FLT818W1200BIDS40K	4	18	2340	4000	Opposite	Direct	G13	Frosted	Yes
FLT818W1200BIDS50K	4	18	2340	5000	Opposite	Direct	G13	Frosted	Yes
FLT818W1200BIDS50KC	4	18	2340	5000	Opposite	Direct	G13	Clear	Yes
FLT818W1200BISS50K	4	18	2340	5000	Same	Direct	G13	Frosted	Yes
FLT818W1200BIXF4	4	18	2340	4000	Opposite	Hybrid	G13	Frosted	Yes
FLT818W1200BIXF5	4	18	2340	5000	Opposite	Hybrid	G13	Frosted	Yes
FLT822W1200BIXF4	4	22	2860	4000	Opposite	Hybrid	G13	Frosted	Yes
FLT822W1200BIXF5	4	22	2860	5000	Opposite	Hybrid	G13	Frosted	Yes
T5									
SLDGA00424CTDT5T	4	24	3960	5000K	Opposite	Direct	T5	Clear	Yes
SLDGA00424CTDT5TFR	4	24	3960	5000K	Opposite	Direct	T5	Frosted	Yes
8 Foot									
ZST836P8FTFA850KC	8	36	4680	5000	Opposite	Direct	FA8	Clear	Yes
ZST840P8FTG1340K	8	40	5200	4000	Opposite	Direct	G13	Frosted	Yes
ZST840P8FTG1350K	8	40	5200	5000	Opposite	Direct	G13	Frosted	Yes
WLT88FT40WBIDS40FA8	8	40	5200	4000	Opposite	Direct	FA8	Frosted	Yes
WLT88FT40WBIDS50FA8	8	40	5200	5000	Opposite	Direct	FA8	Frosted	Yes

**Notes:**

- 1) Wiring - Same means Line and Neutral wire to the same end of the tube. Opposite means Line and Neutral wire to opposite ends of the tube.
- 2) AC Input - Direct means line voltage is connected directly to the tube (no ballast). Hybrid will work with electronic ballast or with line voltage connected directly.
- 3) Terminal - See following page for picture of G13 and FA8.
- 4) ZY22W1500BINS50K is intended for use in coolers. It has special mounting brackets for this.

## Terminals

FA8



G13





## Mini Strip Lights



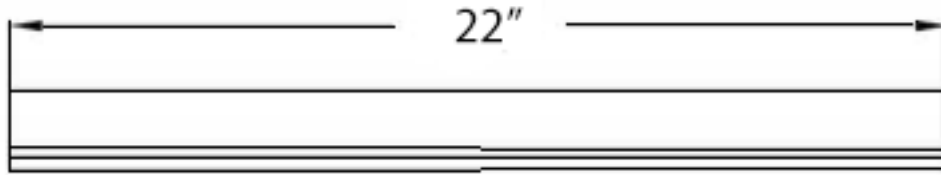
Specifications		
Part Number	DMSTMN2FT10W50KZZ	DMSTMN4FT1240K2P
Length	2 Feet	4 Feet
Power (Watts)	10	12
Light Ouput (Lumens)	1003	1560
Input Voltage (Volts)	100-277	100-277
Color Temperature	5000K	4000K
Mounting Options	Surface   Suspension   Magnetic	
Operating Temperature	-20°C ~ 40°C	
Certification	ETL/DLC	
Warranty	5 Years	

### Under the Counter Model

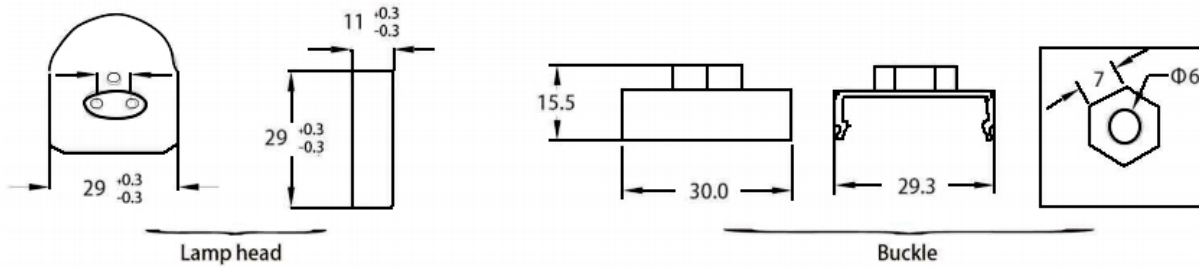
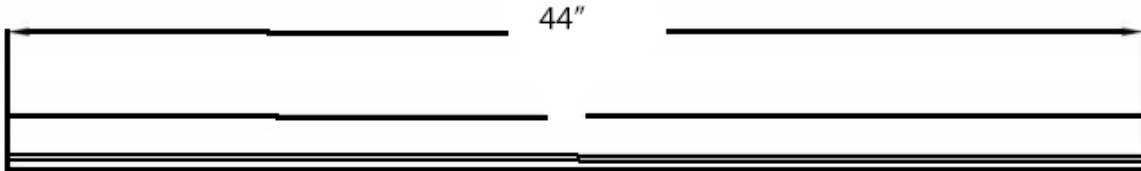
Specifications		
Part Number	10W2FTUCL	12W4FTTUCL
Length	2 Feet	4 Feet
Power (Watts)	10	12
Light Ouput (Lumens)	1300	1560
Input Voltage (Volts)	100-277	100-277
Certification	ETL/DLC	
Warranty	5 Years	

# Dimensions

2FT

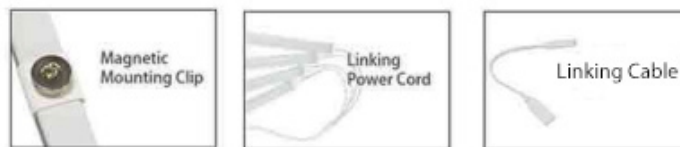


4FT



Dimensions in Inches			
	L	W	D
2 FT	21.65	1.16	1.14
4 FT	44.1	1.16	1.14

# Accessories

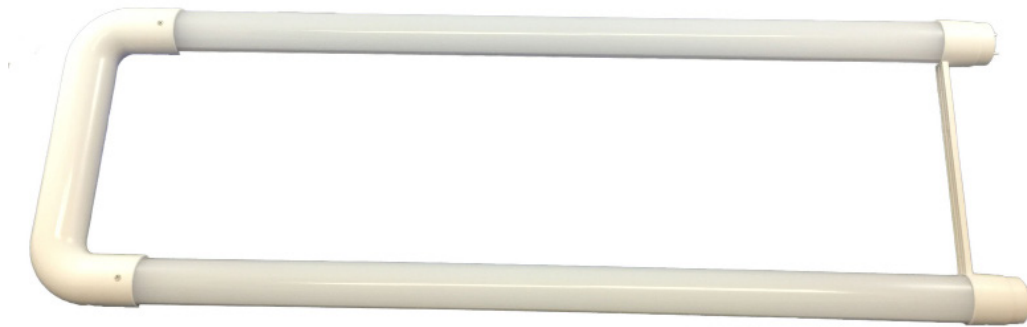


	Magnetic Mounting Clip	Linking Cable 8"	Linking Cable 12"	Linking Cable 15"
Part Number	DMNSTMAG	CBLMNST121	DMNST300CD	CBLMNSST124
Connection		One to One	One to One	One to Four



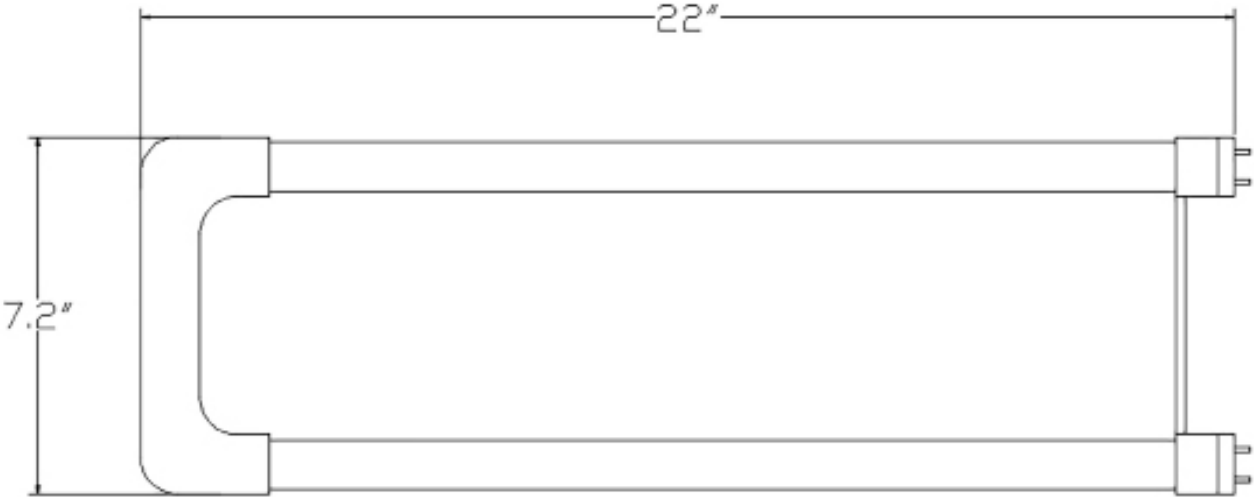


## U-Bulb



Specifications	
Part Number	FLT818W1200BIDU40K
Lamp Base	G13
Power Consumption (Watts)	18
Input Voltage (Volts)	100-277
Color Temperature <sup>2</sup>	4000K
Light Ouput (Lumens)	1800
Operating Temperature	-20°C to +40°C
Certification	UL
Tube Color <sup>3</sup>	Frosted
Warranty	5 Years

# Dimensions





# CORTELCO LED

## Troffer

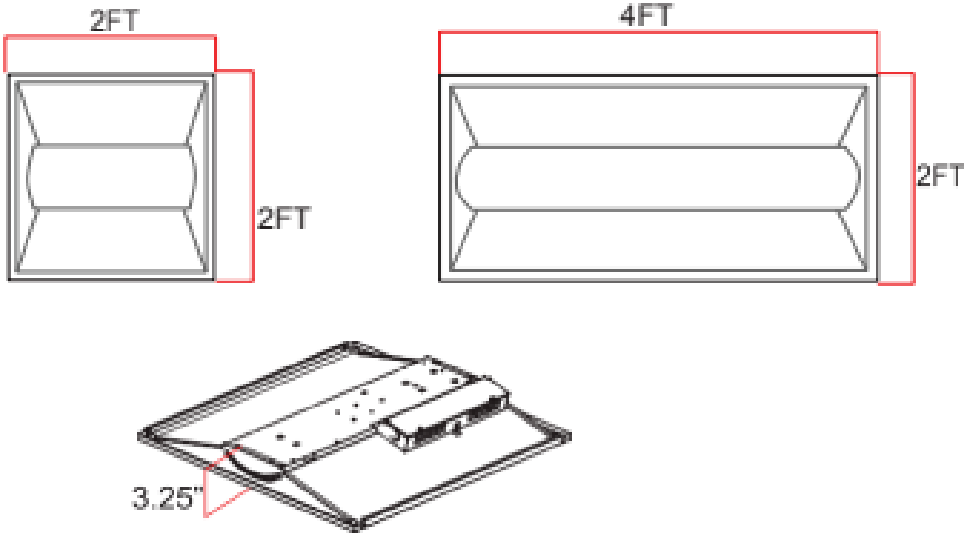


Specifications		
Part Number	ZYT436WXDZ40KJ	ZYT750WXDZ40KJ
Model	2x2	2x4
Power Consumption (Watts)	36	50
Light Output (Lumens)	5000	6300
Input Voltage (Volts)	100-277	
Color Temperature <sup>1</sup>	4000K	
Operating Temperature	-30°C - +40°C	
Certification	UL	
Dimmable	0-10V	
Warranty	7 Years	

Notes:

1. 3000K and 5000K also available

# Dimensions



This page intentionally left blank.



## 4 Light T8 LED Ready 8 Foot Strip Fixture



Specifications	
Part Number	LFT844SSUB
Input Voltage (Volts)	100 - 277
Lamp Type	T8
Wiring	Single End
Dimensions	96" X 4.5" X 4"
Warranty	1 Year

Notes:

1. Eight non-shunted sockets installed.
2. Surface mount or suspend.



## 4 Light T8 LED Troffer



Specifications	
Part Number	LFL4244SSUB
Input Voltage (Volts)	100 - 277
Lamp Type	T8
Wiring	Single End
Dimensions	48" X 24" X 3¾"
Warranty	1 Year

Notes:

1. Eight non-shunted sockets installed.
2. For installation in ceiling grid.



# CORTELCO LED

## 2 Light T8 LED Ready 4 Foot Vapor Tight Fixture



Specifications	
Part Number	V472SSUB
Input Voltage (Volts)	100 - 277
Lamp Type	T8
Wiring	Single End
Dimensions	51¼" X 7⅓" X 4¼"
Warranty	1 Year

Notes:

1. Four non-shunted sockets installed.
2. Surface mount or suspend.





# CORTELCO LED

## 4 Light T8 LED Ready 8 Foot Vapor Tight Fixture



Specifications	
Part Number	V874SSUB
Input Voltage (Volts)	100 - 277
Lamp Type	T8
Wiring	Single End
Dimensions	100" X 7 $\frac{1}{3}$ " X 4 $\frac{1}{4}$ "
Warranty	1 Year

Notes:

1. Eight non-shunted sockets installed.
2. Surface mount or suspend.



## Loop Hanger Cable



Specifications	
Part Number	XP2TG5
Length (Inches)	60
Weight Rating (lbs)	100

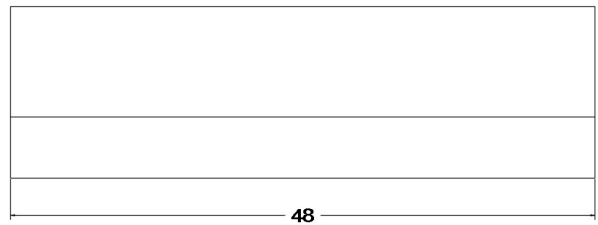
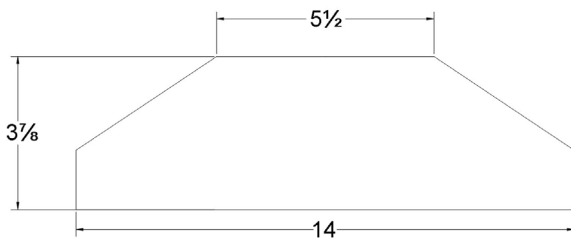
Notes:

The Gripper Express system allows hanging fixtures quickly and easily thanks to a tool-less design. Two required per fixture.



# CORTELCO LED

## 4 Light T8 LED Ready High Bay Fixture



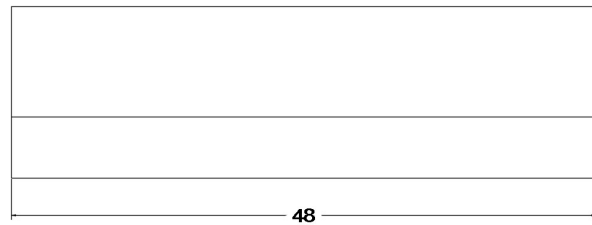
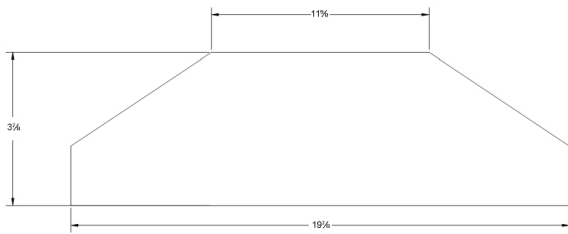
Specifications		
Part Number	LFB4144SSUMSE	LFB4144SSUMOE
Wiring	Single End	Opposite End
Input Voltage (Volts)	100 - 277	
Lamp Type	T8	
Dimensions	48" X 14" X 3 7/8"	
Warranty	1 Year	

Notes:

1. Eight non-shunted sockets installed.
2. Mount with chain, cable, or downrod.



## 8 Light T8 LED Ready High Bay Fixture



Specifications		
Part Number	LFB4208SSUMSE	LFB4208SSUMOE
Wiring	Single End	Opposite End
Input Voltage (Volts)	100 - 277	
Lamp Type	T8	
Dimensions	48" X 19 1/8" X 3 3/8" [=	
Warranty	1 Year	

**Notes:**

1. Sixteen non-shunted sockets installed.
2. Mount with chain, cable, or downrod.

This page intentionally left blank.



# CORTELCO LED

## External Driver Corn Lamp



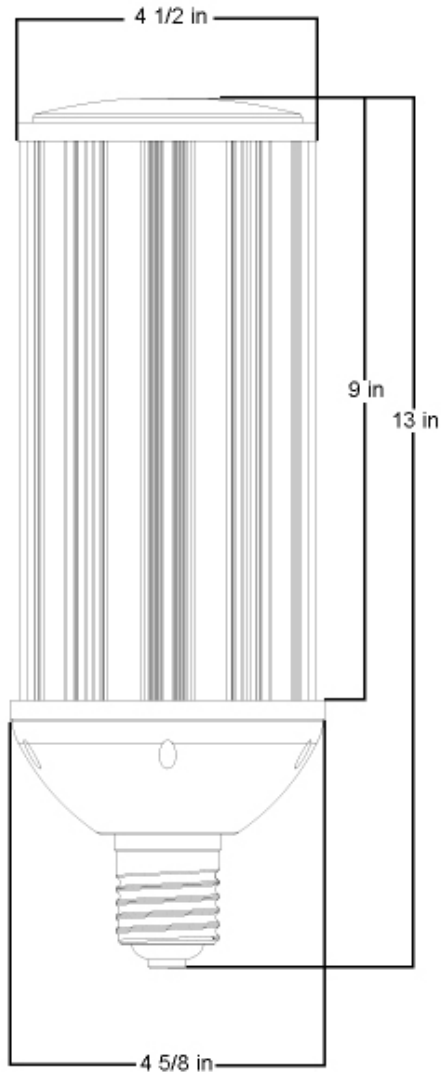
External Driver



### Specifications

Part Number	FR100AWW01H
Power Consumption (Watts)	100
Input Voltage (Volts)	90 - 305
Color Temperature	6500K
Light Ouput (Lumens)	15800
Operating Temperature	-20°C to +45°C
Certification	UL
Socket	E39
Driver	External
Ingress Protection	IP64 (Lamp) IP67 (Driver)
Cooling	Convection
Warranty	5 Years

# Dimensions





# CORTELCO LED

## Mini Round Panel Light



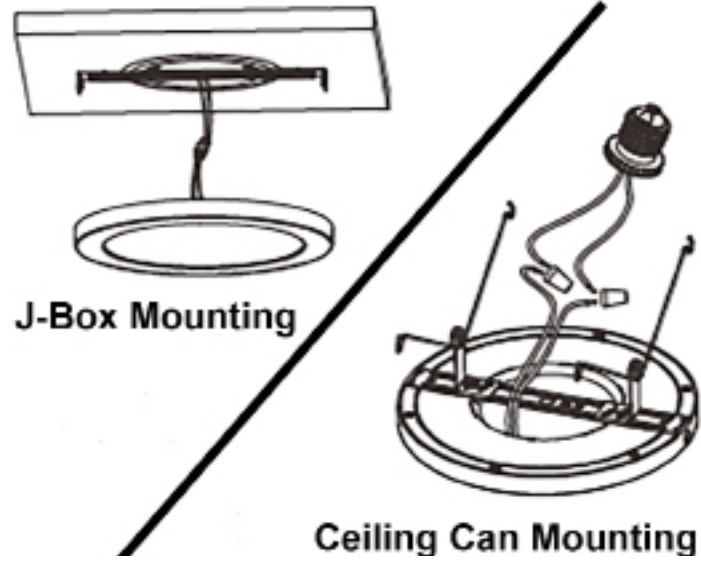
Specifications	
Part Number	DMPL506W4KW
Diameter (Inches)	5
Power (Watts)	6
Light Output (Lumens)	360
Input Voltage (Volts)	100-130
Color Temperature	4000K
Color Rendering Index	>80
Dimmable <sup>1</sup>	Yes
Thickness (Inches)	0.5
Operating Temperature	-20°C to +40°C
Certification	ETL
Warranty	5 Years

Notes:

1. Triac dimmer.



# Mounting





# CORTELCO LED

## High Efficiency Linear High Bay

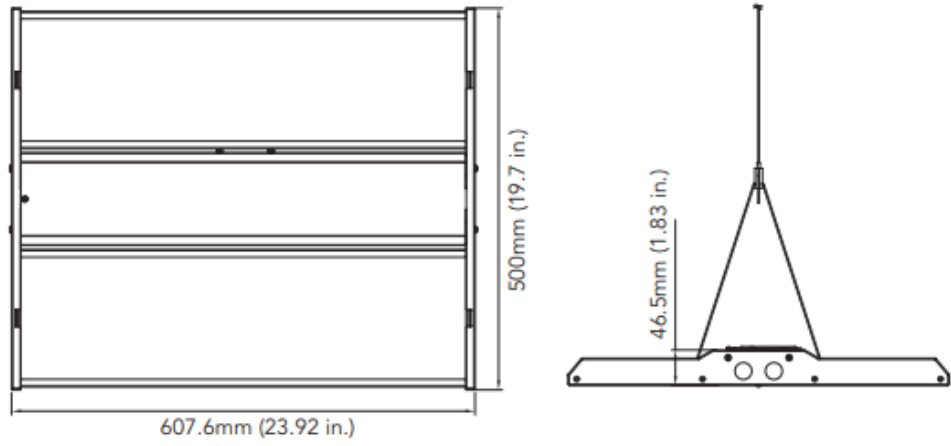
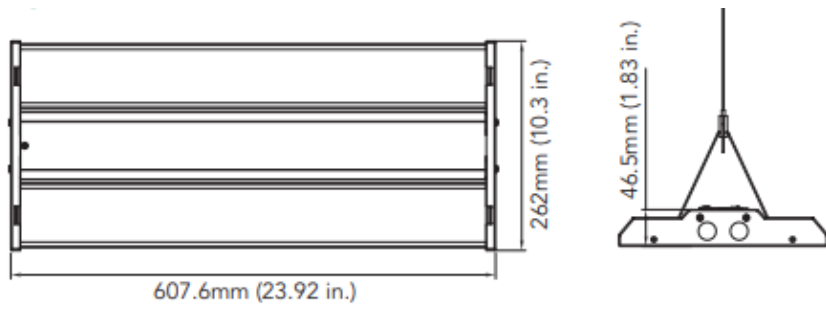


### Specifications

Specifications			
Part Number	MLH0390W27V50KCD	MLH03130W27V50KCD	MLH03180W27V50KCD
Power Consumption (Watts)	90	130	180
Light Output (Lumens)	12600	18500	24500
Input Voltage (Volts)	120-277		
Color Temperature	5000K		
Dimmable <sup>1</sup>	Yes		
Dimensions	1x2	2x2	2x2
Operating Temperature	-40°F ~ +131°F		
Mounting <sup>2</sup>	Cable		
Certification	DLC/UL		
Warranty	5 Years		

Notes:

1. 1-10V dimmer
2. Pendant or Surface Mounting Also Available





# CORTELCO LED

## 2 X 2 Linear High Bay

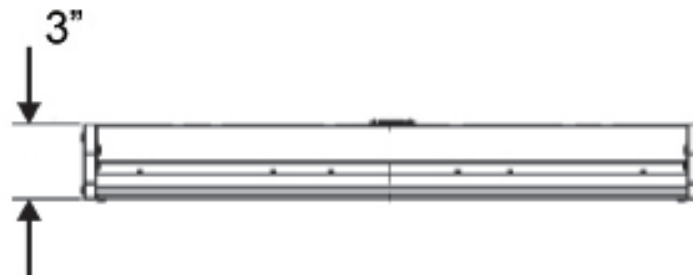
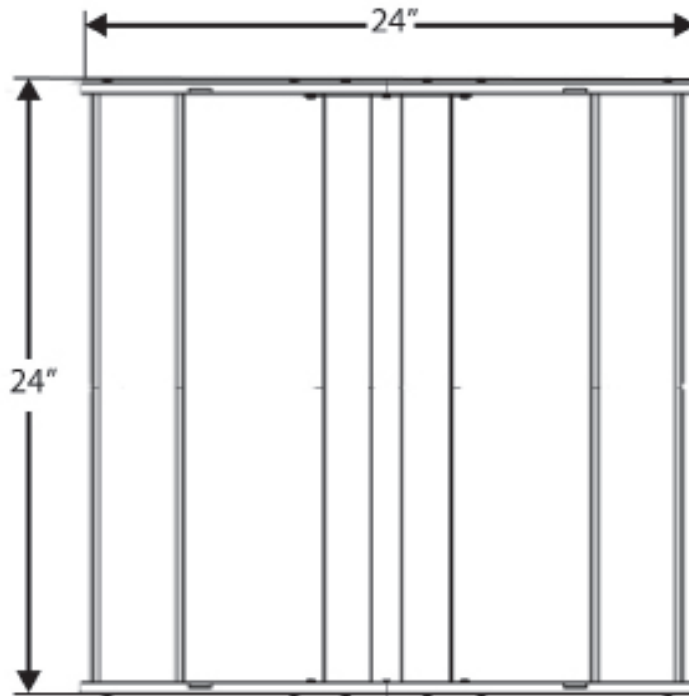


Specifications	
Part Number <sup>1</sup>	HBL22D160W27V50KHPD
Power (Watts)	160
Light Output (Lumens)	16500
Input Voltage (Volts)	100-277
Color Temperature	5000K
Dimmable <sup>2</sup>	Yes
Lens <sup>3</sup>	Prismatic (Wide Angle) or Medium
Motion Sensor	Optional
Operating Temp.	-20°C to +40°C
Certification	UL/DLC
Warranty	5 Years

Notes:

1. Part numbers shown are for Prismatic Lens. See part number chart on following page.
2. 0 - 10 V Dimmer.
3. Narrow lens available on request.

# Dimensions



Part Numbers	
HBL22D160W27V50KHPD	160W Prismatic Lens 5000K
HBL22D160W27V50KHMD	160W Medium Lens 5000K